

Sockets for Traffic Cabinet Relays

Our NEW sockets we have introduced, SK-TRF8-MW with flange and solder tabs or SK-TRF8-MP with no flange and PCB pins are now available to go with the New ATC compact-designed Traffic Cabinets. This socket matches up with our new Hermetic Relay for the Traffic Industry - 21XBXL-48VDC. SK-TRF are 15Amp @ 250 volt rated sockets used widely in Traffic Cabinets.

We continue to carry the standard sockets available in 4,6,8 and 12 pins with flanges. The 8 pin version accepts our legacy 21 Series Traffic Relay. Also available, is the EDCO Style plug PL-TRF12E that mates with the special EDCO Style socket SK-TRF12E-MS-1, both have special mounting clips.



21H Socket Specifications (@ 25°C)

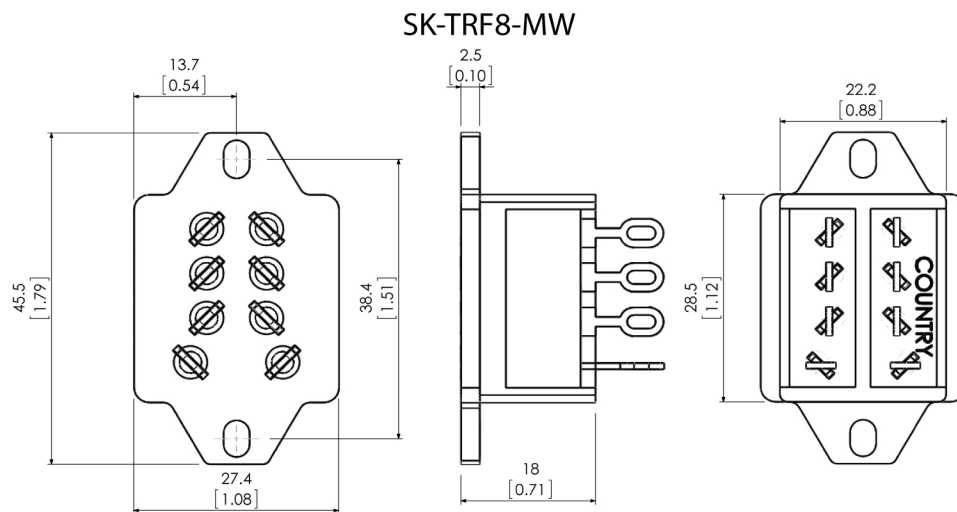
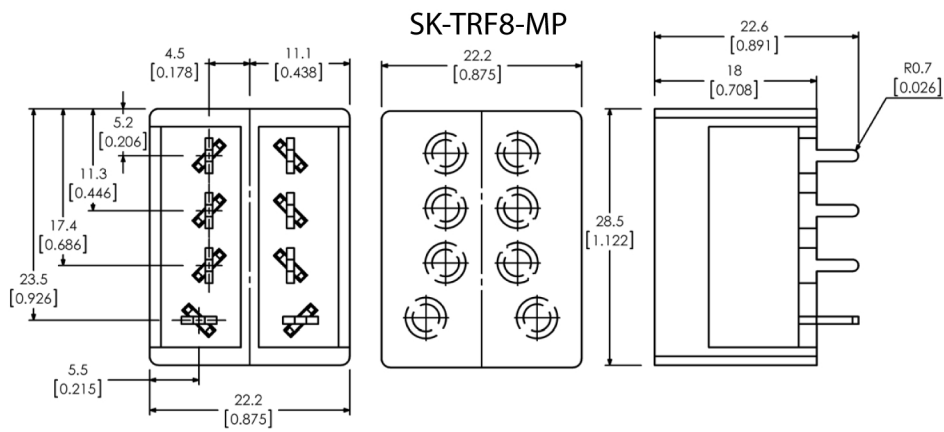
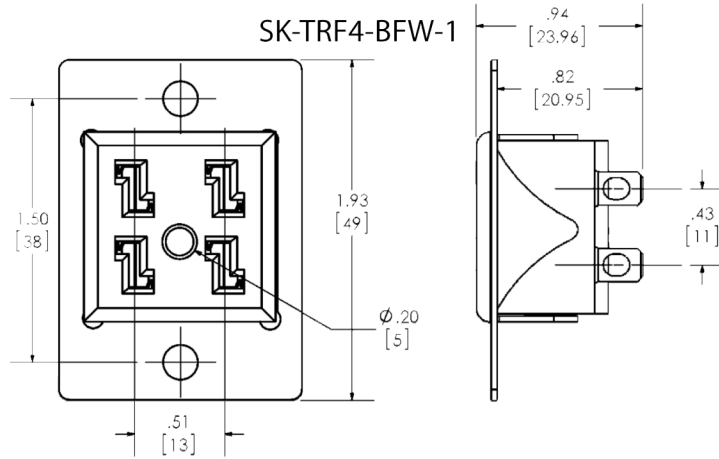
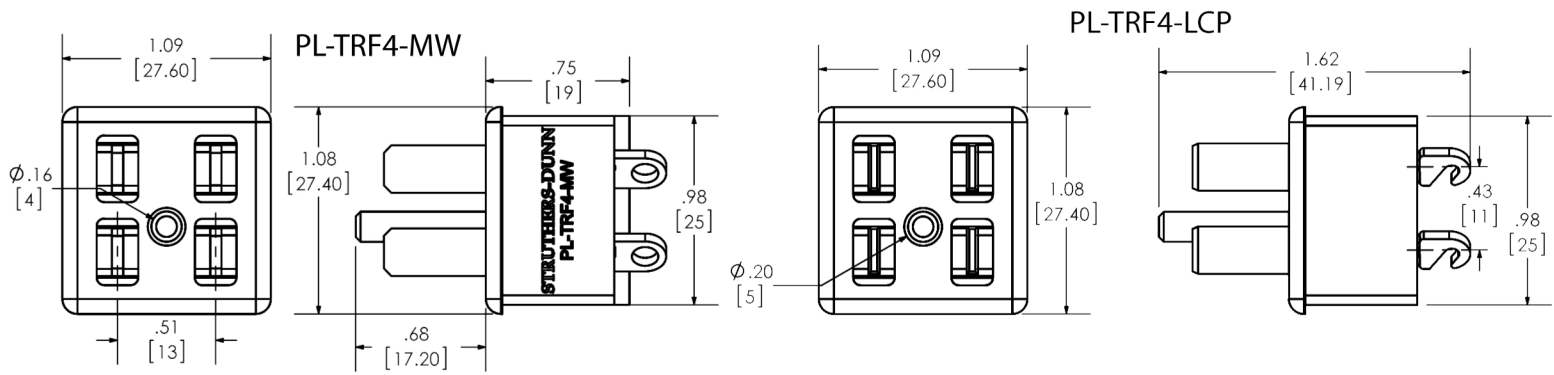
Electrical Rating	
Voltage Rating	120VAC, 48VDC
Current Rating	10A (max), 100mA (min.)
Temperature	
Operating	-40°C TO 100°C
Dielectric Properties	
Dielectric Strength	2000VAC @ 1mA
Insulation Resistance	1GΩ @ 500VDC
Miscellaneous	
Recommended Wire Size	16 AWG
Body Color	Black



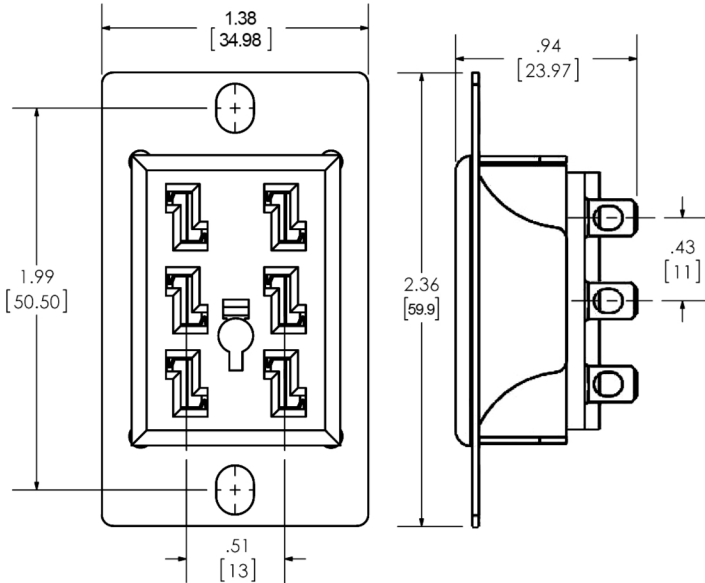
Legacy 21 Socket Specifications (@ 25°C)

Electrical Rating	
Voltage Rating	250V
Current Rating	15 A
Temperature	
Operating	-40°C TO 125°C
Dielectric Strength	
Terminal to Terminal	2000Vrms
Terminals to Flange/Clips	2000Vrms
Miscellaneous	
Wire Size	12 AWG
Body Color	Black

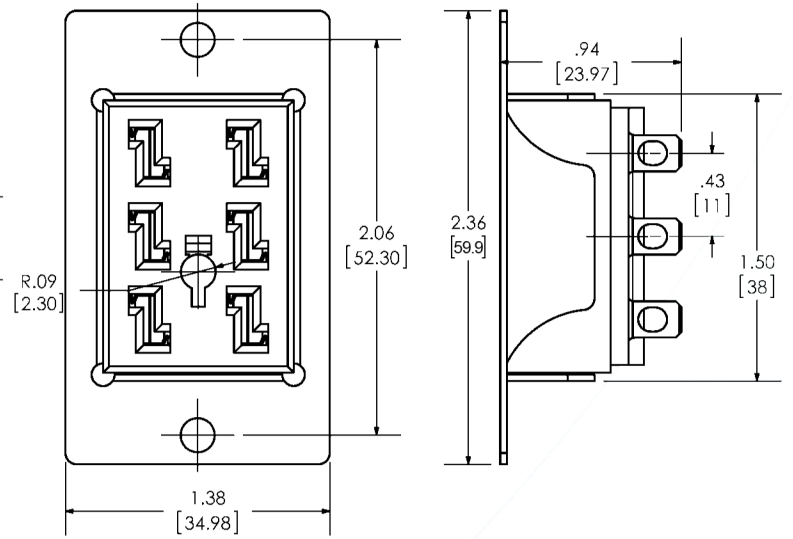
Part Numbers	Style	BEAU/Molex Cross:	Cinch/June Cross:	Weight (Grams)
SK-TRF8-MW	8 Pin Solder Tab Mount (21H Series)			17
SK-TRF8-MP	8 Pin PCB Mount (21H Series)			19
SK-TRF4-BFW-1	4 Pin Socket	38542-1604, S9-5404-SB		23
PL-TRF4-LCP	4 Pin Plug	38540-1904		23
PL-TRF4-MW	4 Pin Plug		P-2404-SB	23
SK-TRF6-BFW-1	6 Pin flange mount, low back rib	S3-5406/38542-1406		30
SK-TRF6-BFW-2	6 Pin flange mount, No Flange lip	38440-0706		23
SK-TRF6-DW-1	6 Pin Socket, No Mounting BRKT			28
SK-TRF6-PC	6 Pin Socket W/ PC Terminals, No Mounting BRKT	38540-2606		30
PL-TRF6-MW	6 Pin Plug	38542-1106, P3-5406-SB		45
PL-TRF6-LCP	6 Pin Plug			45
PL-TRF6NB-LCP	6 Pin Plug, No Mounting BRKT	38540-1906	P-2406-SB	45
SK-TRF8-BFW-1	8 Pin flange mount, low back rib	S3-5408/38542-1408	P-2406-LAB	45
SK-TRF8-BFW-2	8 Pin flange mount, No Flange lip	38440-0908		45
SK-TRF8-DW-1	8 Pin Socket, No Mounting BRKT			28
SK-TRF8-PC	8 Pin Socket W/ PC Terminals, No Mounting BRKT	38540-2608		23
SK-TRF12-BFW-1	12 Pin flange mount, low back rib	S3-5412/38542-1412		50
SK-TRF12-DW-1	12 Pin Socket, No Mounting BRKT			45
SK-TRF12-PC	12 Pin Socket W/ PC Terminals, No Mounting BRKT	38540-2612		45
PL-TRF12-LCP	12 Pin Plug, low back rib			50
PL-TRF12NB-LCP	12 Pin Plug, No Mounting BRKT	38540-1912	P-2412-SB	50
SK-TRF12E-BFW-1	12 Pin flange mount, low back rib	38549-0597	P-2412-LAB	50
SK-TRF12E-MS-1	12 Pin clip mount, low back rib - Edco Style	38549-0435		45
PL-TRF12E	12 Pin Plug, low back rib - Edco Style	38549-0434		50



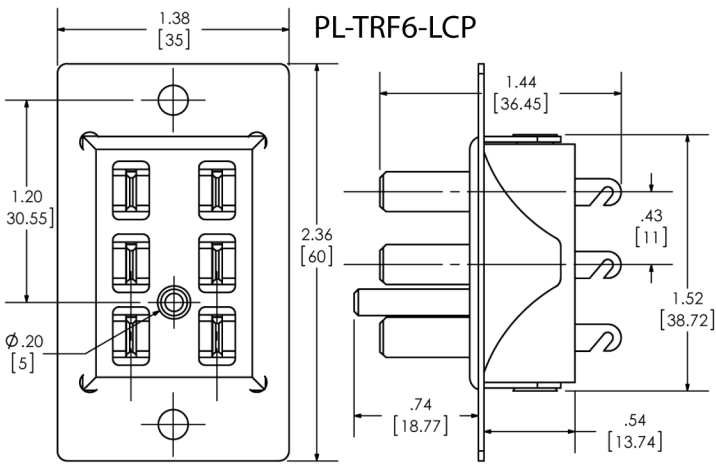
SK-TRF6-BFW-1



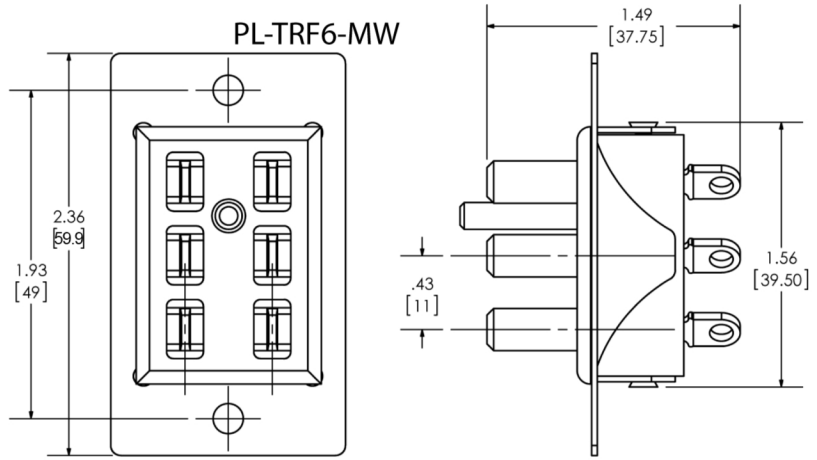
SK-TRF6-BFW-2



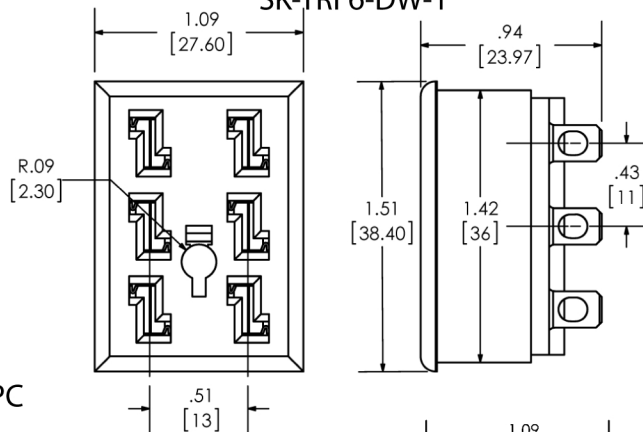
PL-TRF6-LCP



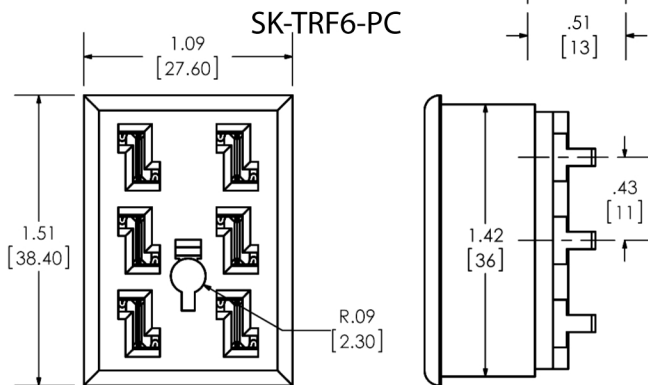
PL-TRF6-MW



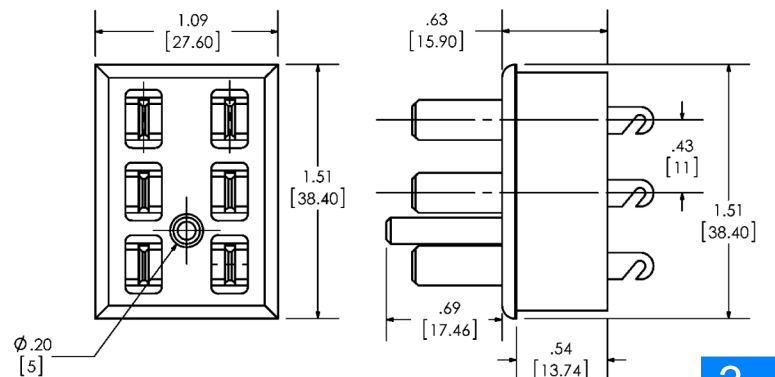
SK-TRF6-DW-1



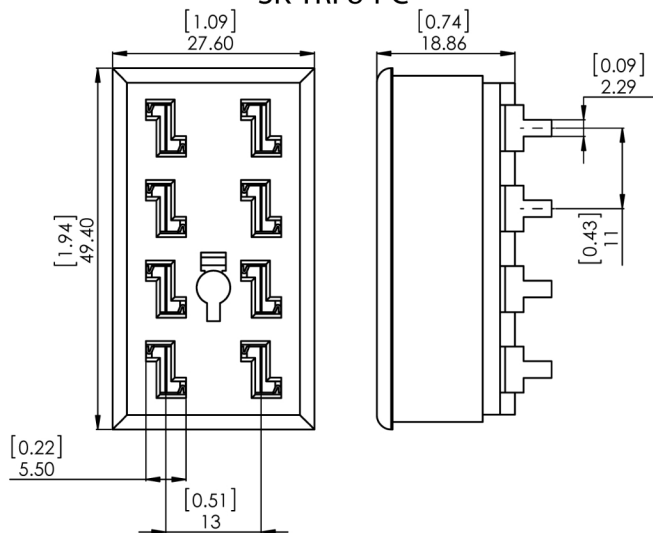
SK-TRF6-PC



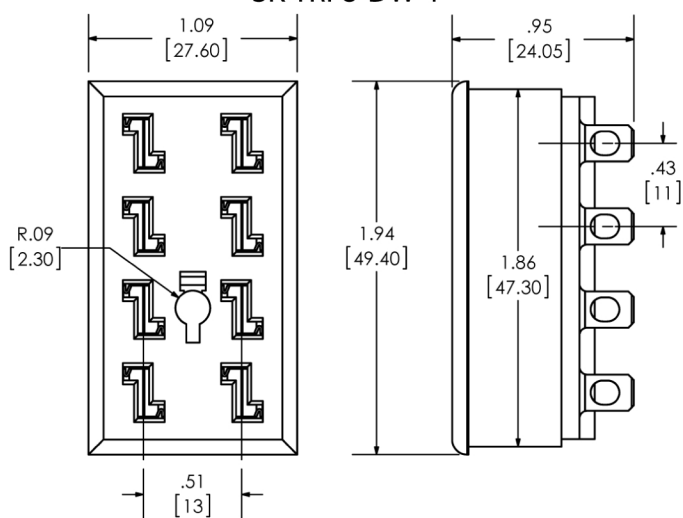
PL-TRF6NB-LCP



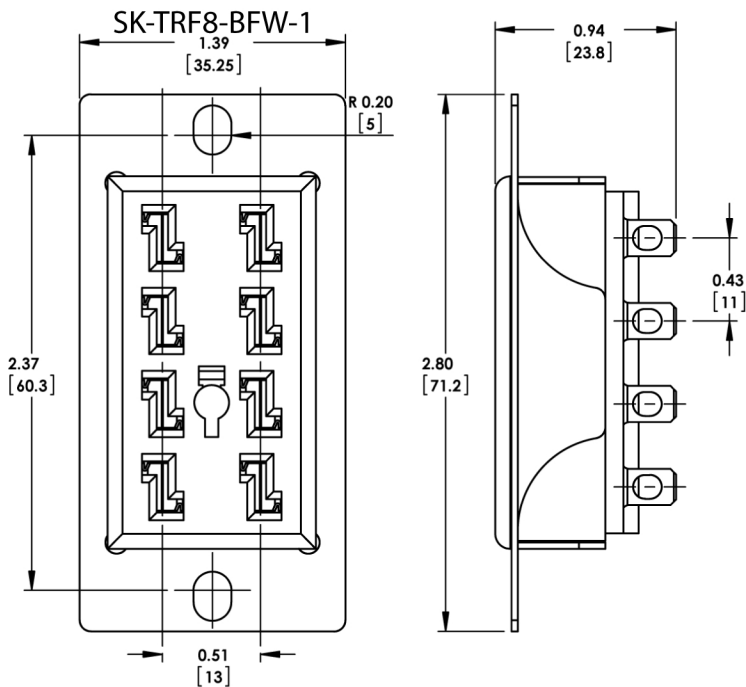
SK-TRF8-PC



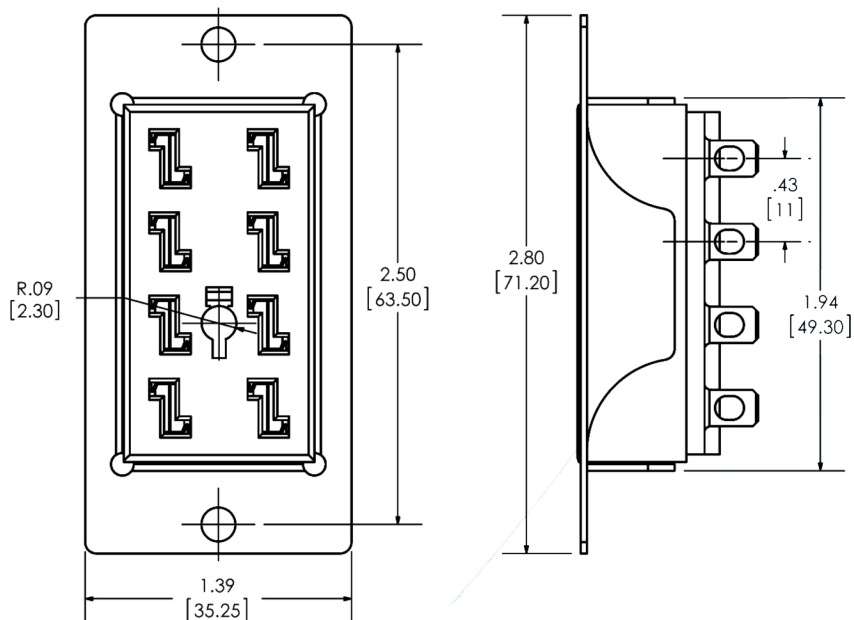
SK-TRF8-DW-1

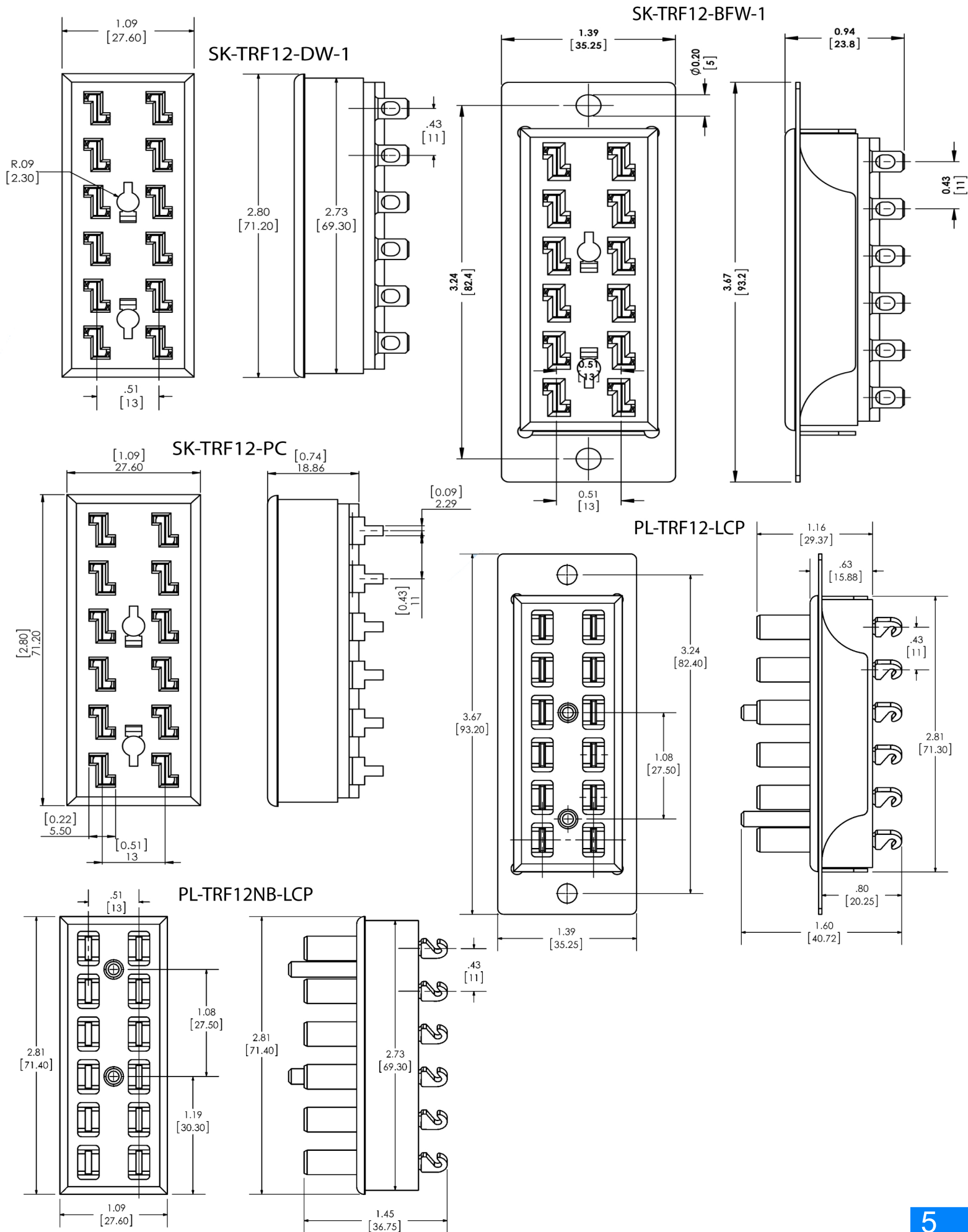


SK-TRF8-BFW-1

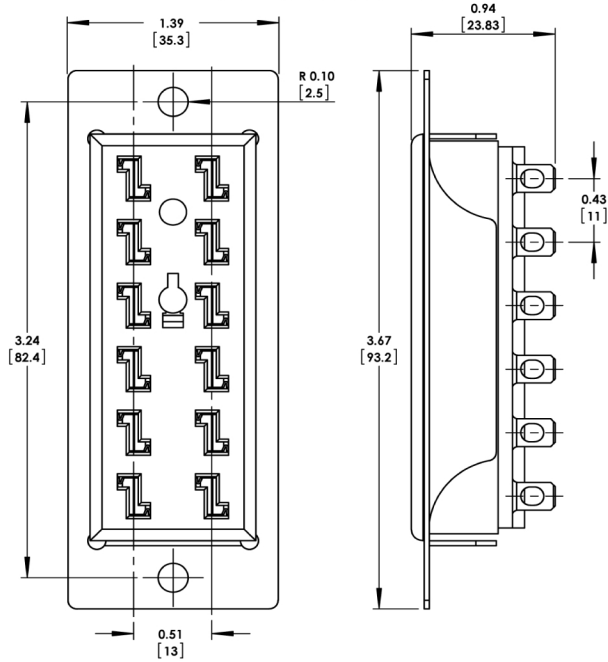


SK-TRF8-BFW-2

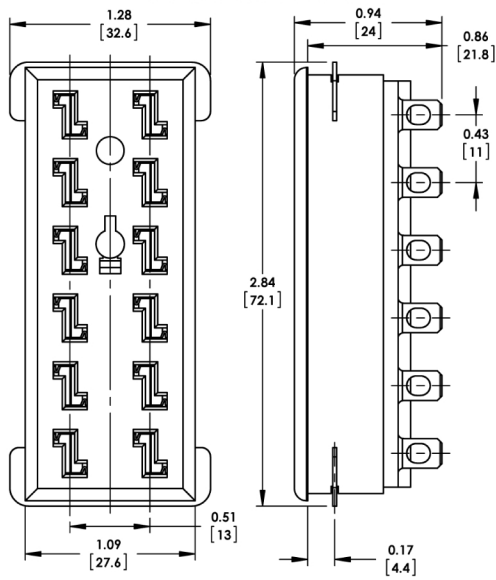




SK-TRF12E-BFW-1



SK-TRF12E-MS-1



PL-TRF12E

