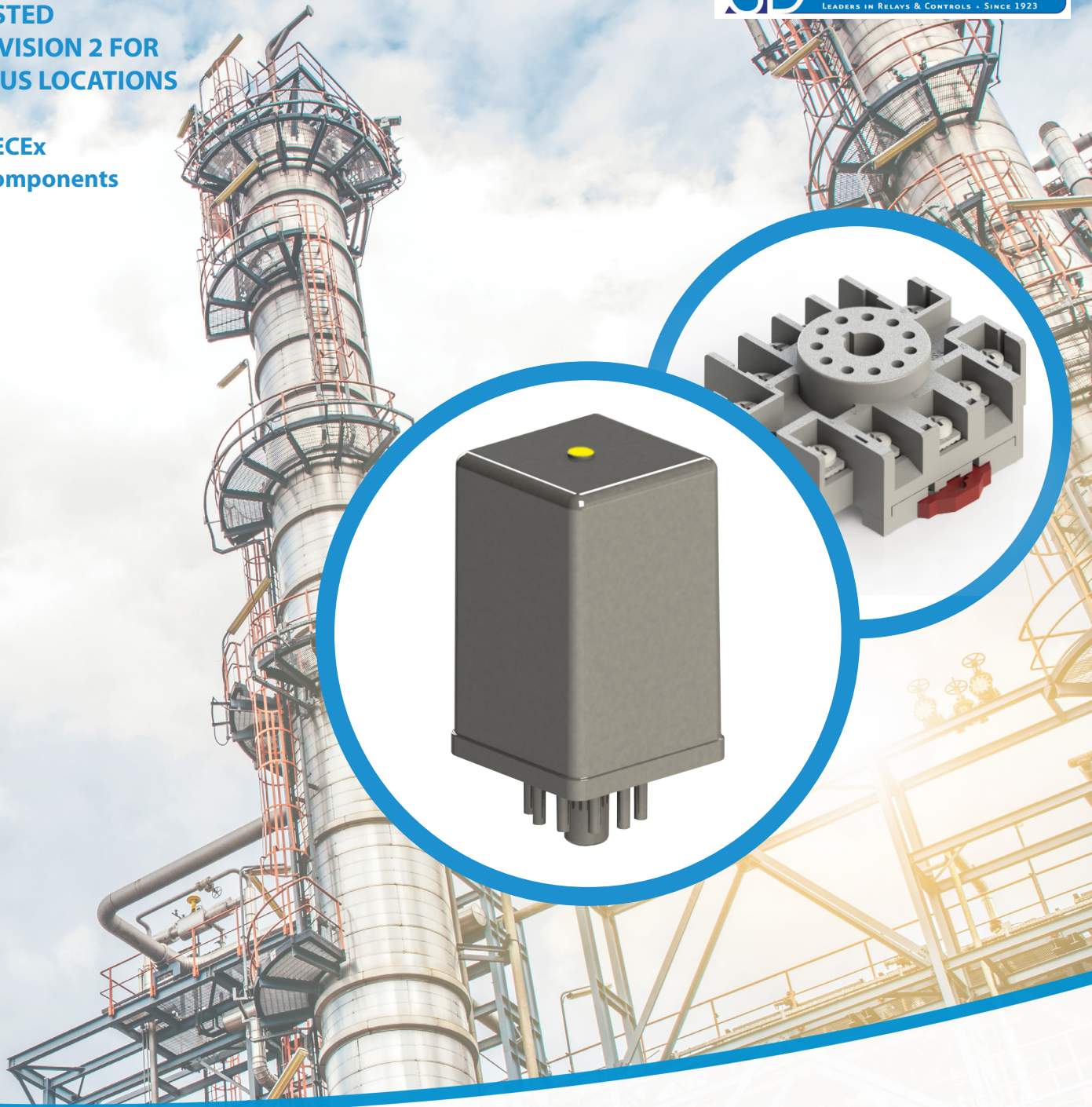


**UL/CUL LISTED  
CLASS I DIVISION 2 FOR  
HAZARDOUS LOCATIONS**

**ATEX and IECEx  
Certified Components**

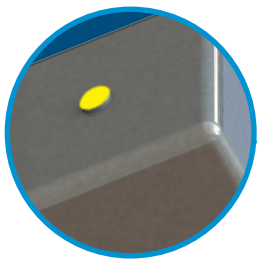


# 88H Series Hermetically Sealed Relays

# Product Attributes

## Contact Transfer LED Indicator

LED indicator provides positive confirmation that the Contacts have transferred, not just an indication of power applied to the coil.

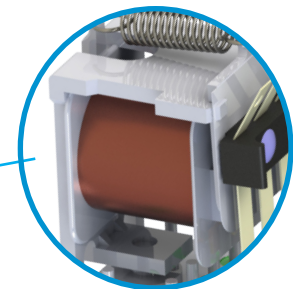
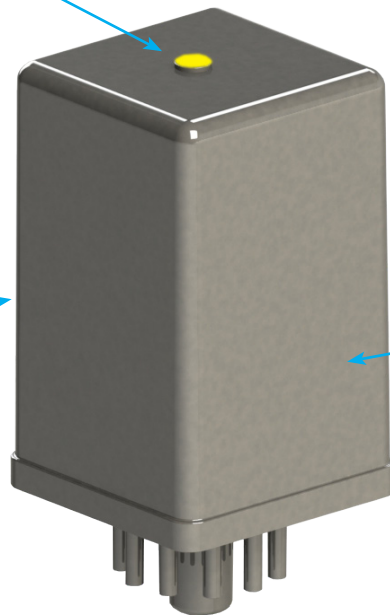


## Corrosion Resistant

- Nickel Plated Brass Cover
- Salt water Resistant

## Hermetically Sealed Construction

The inert, dry nitrogen environment mitigates corrosion and/or oxidation of the internal relay components including the contacts.



## Coil

Coil Temperature Rating 155 °C (Class F)  
 Optional coil suppression diode that will protect your sensitive equipment from coil transient voltage.

## Safety Certifications

UL/CUL Listed for ordinary locations (E52197) and Class I, Div 2 hazardous locations (E509225) with Approved Sockets SK-CIR8-DS or SK-CIR11-DS (E340027).

# GENERAL SPECIFICATIONS (@25 °C)

## Input

	<u>Nominal Input Voltage</u>	<u>Nominal Coil Resistance, Ω at 25 °C</u>	<u>Nominal Input Voltage</u>	<u>Nominal Coil Resistance, Ω at 25 °C</u>
	<b>Coil Voltage Range</b>	6 VDC 12 VDC 24 VDC 48 VDC 72 VDC 115/125 VDC	32 120 470 1800 2590 10,000	6 VAC 12 VAC 24 VAC 48 VAC 120 VAC 240 VAC
<b>Drop-out Voltage</b>	Minimum 10% of nominal VAC, 10% of nominal VDC			
<b>Average Consumption Coil</b>	2.1 VA (AC) 1.2 W (DC)			
<b>Maximum Operating Voltage</b>	110 % (AC/DC)			
<b>Maximum Pickup Voltage</b>	80% of nominal (VDC) 85% nominal (VAC)			

88 H SERIES

## Contacts

<b>Contact Configuration</b>	DPDT, 3PDT / 2 Form C, 3 Form C			
<b>Contact Type</b>	Silver Alloy			
<b>UL Switching Ratings</b>	<u>Amps/Power</u>	<u>Voltage</u>	<u>Cycles</u>	<u>Load</u>
	10A	240 VAC	100k	Resistive
	1/3 HP	120 VAC	6k	Motor
	1/2 HP	240 VAC	100k	Motor
	12A	30 VDC	100k	Resistive
	C300		6K	Pilot Duty
<b>Maximum Switching Voltage</b>	240 VAC, 30 VDC			
<b>Minimum Switching Requirement</b>	25 mA @ 12 VAC, 12 VDC			
<b>Thermal (Carrying) Current</b>	12 Amps			

## Performance

<b>Mechanical Life</b>	5,000,000 cycles
<b>Electrical Life, Operations at Rated Current</b>	100,000 cycles
<b>Operate Time (Response Time) - On</b>	20ms
<b>Release Time</b>	15ms
<b>Dielectric Strength (Across Open Contacts)</b>	1000 Vrms
<b>Dielectric Strength</b> (Between Parts of Opposite Polarity)	1500 Vrms

## Environment

<b>Ambient Temperature - Storage</b>	-40 to +85 °C
<b>Ambient Air Temperature around the device - Operation</b>	AC Coils: -20 to +40 °C / DC Coils: -20 to +60°C
<b>Temperature Code for Hazardous Locations</b>	T4A: +40 °C (+104 °F) for AC Coils +60 °C (+ 104 °F) for DC Coils



## Hazardous Locations Conformance/Approvals

Designation	Identification	Certificate/File reference
UL-USA CUL-Canada	Class I, Division 2, Groups A,B,C and D	E509225
ATEX	II 3 G Ex nC IIC Gc	UL 22 ATEX 2876U
IECEX	Ex nC IIC Gc	IECEX UL 22.0084U

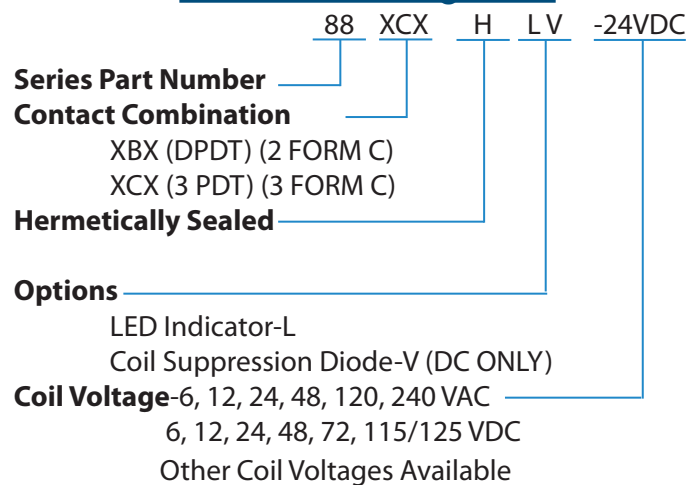
## Environmental Product Compliance

REACH free of SVHC	YES
Free of PFAS	YES
EU RoHS Directive	Pro-active Compliance

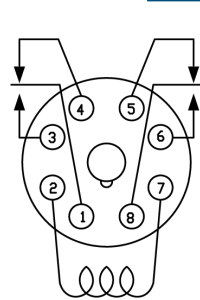
## Miscellaneous

Optional Contact Transfer Indicator-Code "L"	Yellow LED
Weight	130 grams
Component Type	Hermetically Sealed Relay
Mounting Type	8 or 11 Pin Octal Socket Mount

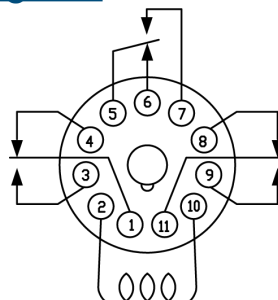
## Series 88 Ordering Code



## Wiring Diagrams



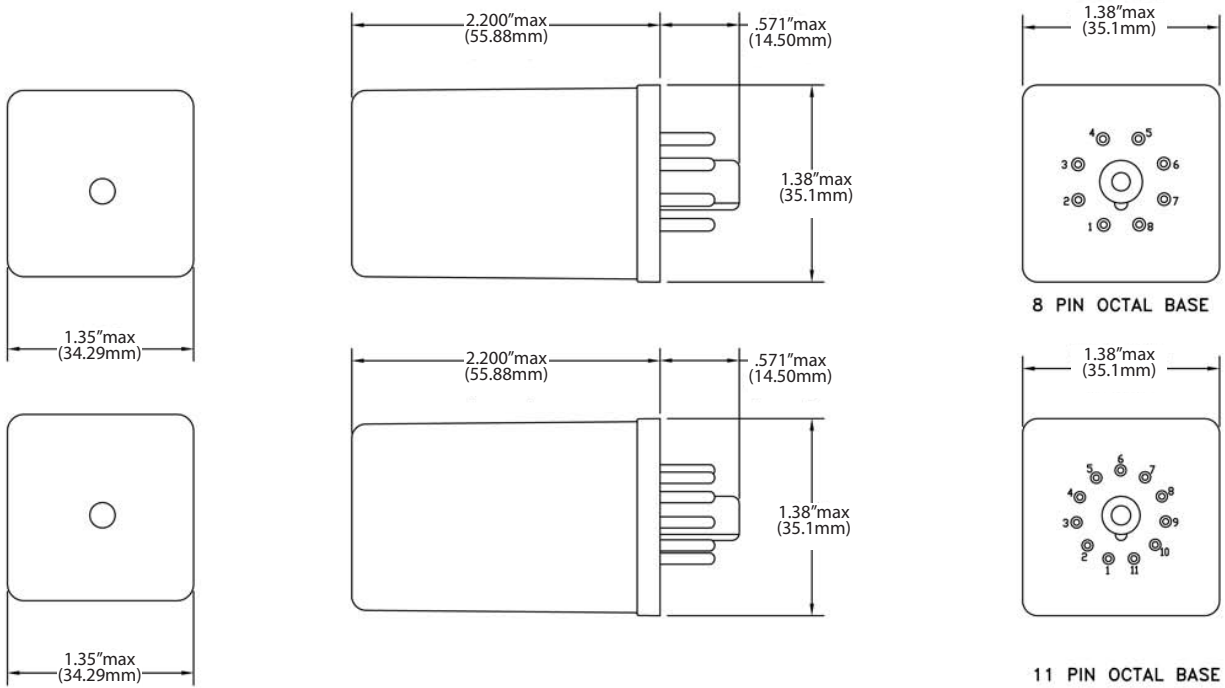
**8 Pin  
Bottom View**



**11 Pin  
Bottom View**



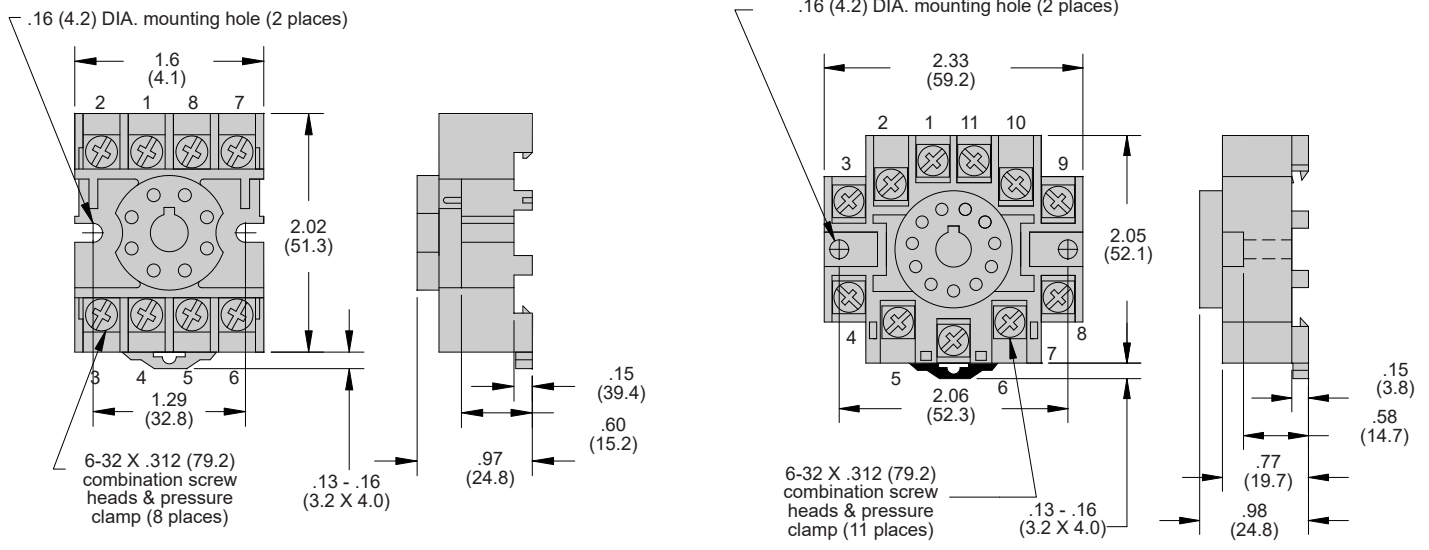
# Outline Dimensions



## 8 Pin Socket-SK-CIR8-DS



## 11 Pin Socket-SK-CIR11-DS



Retaining Clips are not required when Struthers-Dunn Relays and Sockets are used together.