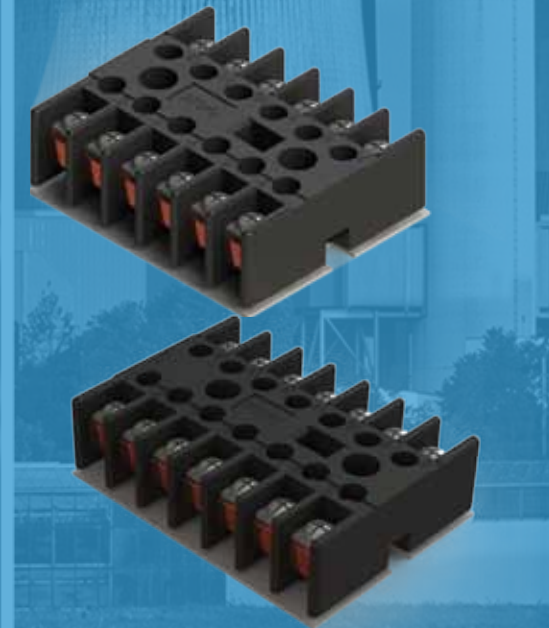
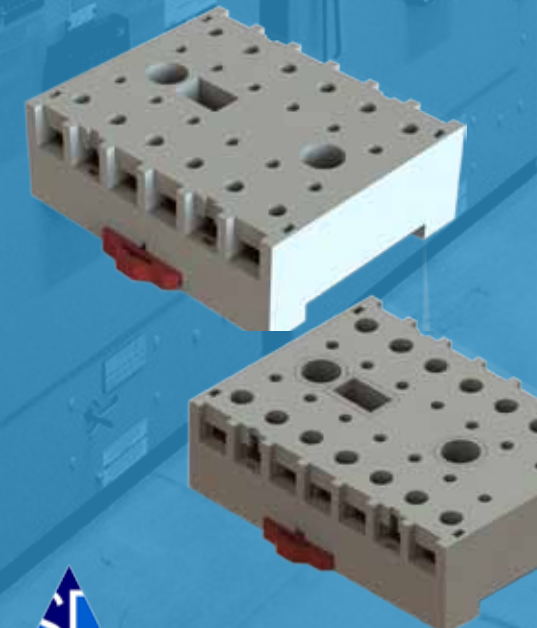


Nuclear & Industrial Sockets

12 & 14 Pin Socket - Series 219, 236, 237, 246, 247, 255, 266, 267, 311

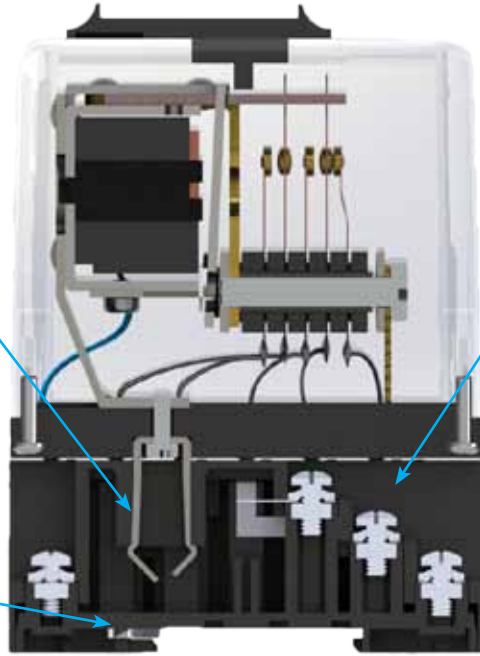


Product Attributes

Our industrial style sockets are made with UL & IEC approved sustainable polymers, and are commonly used in industries such as Nuclear, Utility, Rail & Commercial switchgear. They are compatible with our wide range of Industrial relays with integrated locking clip, securely holding them in place without an external hold-down clip.

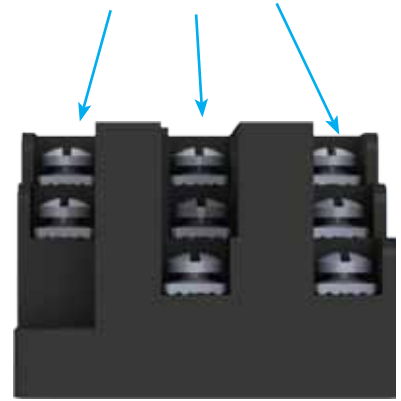
Integral Locking Receptacle

Proven design approved for shock and vibration in Nuclear Power Plants for 60+ years without external hold-down



Effortless Wiring

Terminal locations that match IEC wiring for easy field replacement



P/N: 33377DN

DIN & Panel Mounting

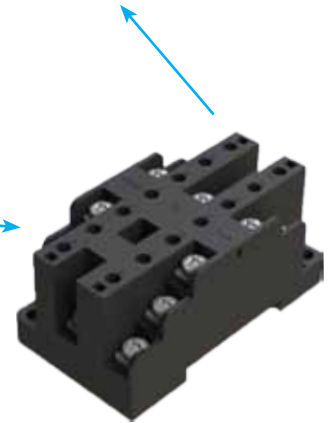
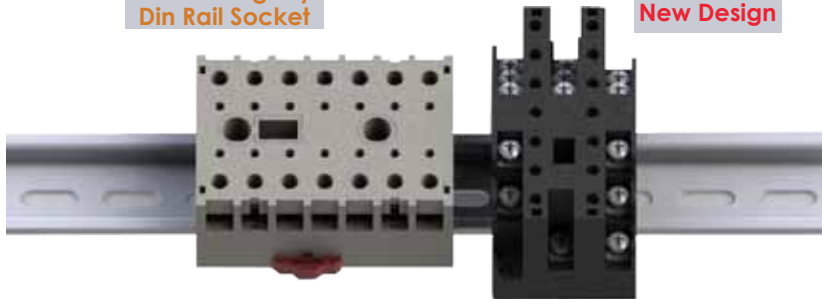
Shock & Vibration tested for 35mm DIN mounting and compatible with IEC Panel Mounting.

Reduced Space

Slim design to replicate size of non-swappable IEC Contactor. 59% less space than "D" version.

33377D Legacy Din Rail Socket

33377DN New Design



*D - Socket with Din-rail mount.

*DN - Socket with Narrow Din-rail mount.

P/N: 33377D

P/N: 27390D

P/N: 33377

P/N: 27390



GENERAL SPECIFICATIONS (@25 °C)

Electrical Rating

Category	27390	33377	27390D	33377D	33377DN
Nominal Voltage Rating	600V	600V	600V	600V	300V
Nominal Current Rating	10 Amp				
Flammability Rating	94V-0				

Construction

Number of Pins	12-pins	14-pins	12-pins	14-pins	14-pins
Protection Category (finger safe)	NA	NA	IP20 IEC	IP20 IEC	NA
Internal Metal Tracks	Copper Alloy	Copper Alloy	Copper Alloy	Copper Alloy	Copper Alloy, Tin plated
Body Color	Black	Black	Light Grey	Light Grey	Black
DIN Locking Clip Type	NA	NA	External Plastic	External Plastic	Integrated Metal Spring
Screw Terminals	Steel, Zinc - plated				
Terminal Screw Style & Size	Combination head - M3.5 X 0.06 X 6.35mm				
Terminal Screw Torque Max	9 lb-in, 1.01 Nm				
Agency Approvals	UL-508	UL-508	-	-	UL-508 & CSA-14
Mounting	Panel only	Panel only	Panel & Din-rail	Panel & Din-rail	Panel & Din-rail
Weight (gms)	93	109	84	97	71

Dielectric Strength

Output to adjacent output terminals	2000Vrms	1600Vrms
Output to input terminals	2000Vrms	1600Vrms
Terminals to rail chassis	2000Vrms	1600Vrms

Temperature

Operating	-40°C to 150°C	-40°C to 105°C	-40°C to 120°C
-----------	----------------	----------------	----------------

Miscellaneous

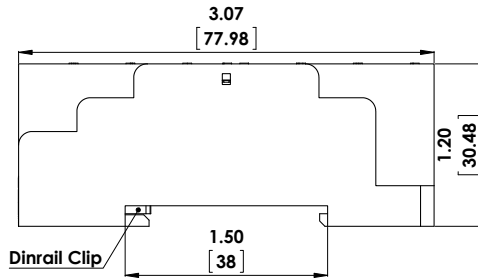
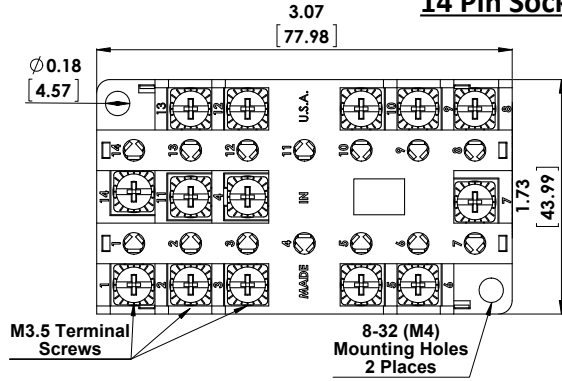
Chassis Mount Torque (Lb-in-Nm)	8-10/0.90-1.13		
Wire Size	12 to 20 AWG		Wire Binding Screw 16 to 20 AWG, STR.
Recommended Mounting Screws	8-32 Screw (M4)		



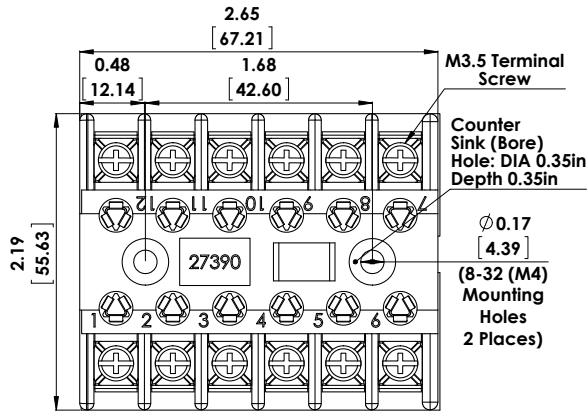
Outline Dimensions

Dimension shown in inches & (millimeters)

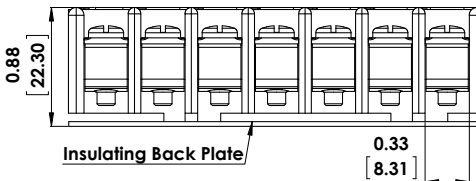
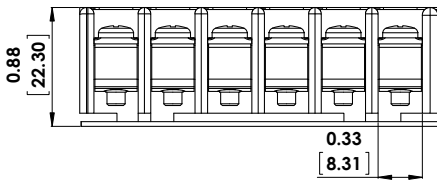
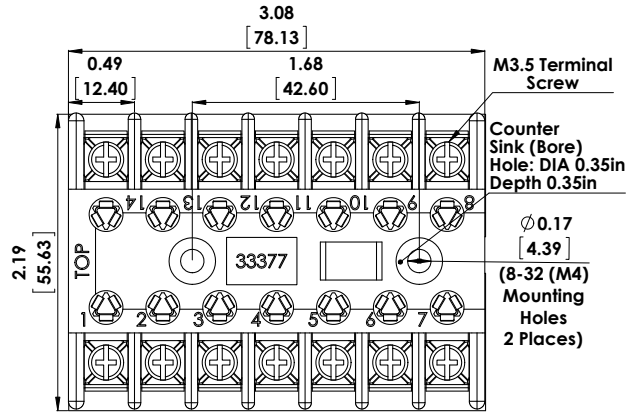
14 Pin Socket - 33377DN



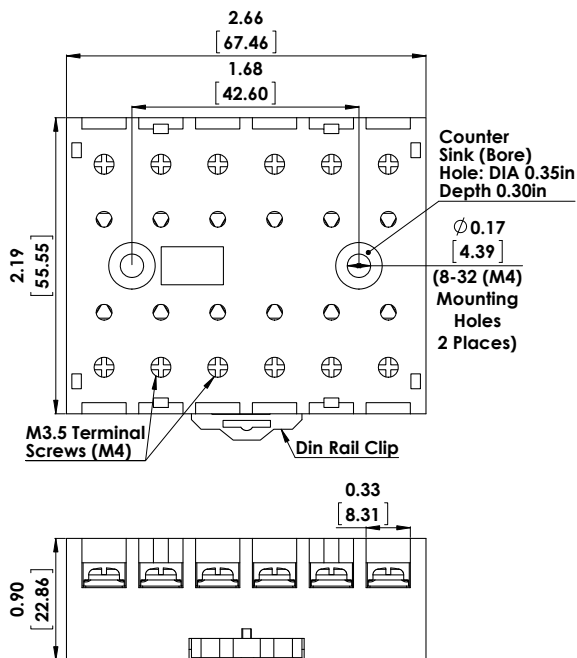
12 Pin Socket - 27390



14 Pin Socket - 33377



12 Pin Socket - 27390D



14 Pin Socket - 33377D

